

BALDOR® • RELIANCE 

Product Information Packet

FPM2558TS-4

150/125HP,60//50HZ,4PL,3PH,445TS,OPEN

Part Detail							
Revision:	E	Status:	PRD/A	Change #:		Proprietary:	No
Type:	AC	Elec. Spec:	A44WG5440	CD Diagram:	421948-079	Mfg Plant:	
Mech. Spec:		Layout:	617428-044	Poles:	04	Created Date:	09-15-2015
Base:		Eff. Date:	01-26-2018	Leads:	12#4		

Specs			
Catalog Number:	FPM2558TS-4	Duty Rating:	CONT
Enclosure:	DP	Feedback Device:	NO FEEDBACK
Frame:	444TS	Heater Indicator:	No Heater
Frame Material:	Iron	Insulation Class:	F
Output @ Frequency:	150.000 HP @ 60 HZ	Inverter Code:	Not Inverter
	125.000 HP @ 50 HZ	KVA Code:	F
Synchronous Speed @ Frequency:	1800 RPM @ 60 HZ	Lifting Lugs:	No Lifting Lugs
Voltage @ Frequency:	380.0 V @ 50 HZ	Motor Lead Quantity/Wire Size:	12 @ 4 AWG
	460.0 V @ 60 HZ	Motor Type:	A44054M
XP Class and Group:	None	Mounting Arrangement:	F1
XP Division:	Not Applicable	Power Factor:	88
Agency Approvals:	CCSA US	Product Family:	Other
	CSA EEV	Pulley End Bearing Type:	Ball
	UL	Pulley Face Code:	Standard
Auxillary Box:	No Auxillary Box	Shaft Ground Indicator:	No Shaft Grounding
Base Indicator:	Rigid	Shaft Rotation:	Reversible
Bearing Grease Type:	Polyrex EM (-20F +300F)	Shaft Slinger Indicator:	No Slinger
Current @ Voltage:	167.000 A @ 460.0 V	Speed Code:	Single Speed

	169.000 A @ 380.0 V	Motor Standards:	NEMA
Design Code:	B	Starting Method:	Wye Start - Delta Run
Drip Cover:	No Drip Cover	Thermal Device - Bearing:	None
		Thermal Device - Winding:	None

Nameplate NP3488L											
CAT.NO.	FPM2558TS-4			CUST P/N				I.P.			
SPEC.	P44G1850			SER.NO.				FRAME	444TS		
HZ	60	HP	150	RPM	1780	HZ	50	HP	125	RPM	1480
VOLTS	460			CODE	F	VOLTS	380			CODE	F
AMPS	167			DES	B	AMPS	169			DES	B
EFF	95	SER.F.	1.15	PF	88	EFF	94.3	SER.F.	1.15	PF	88
RATING	40C AMB-CONT			DE BRG	65BC03J30X			GREASE	POLYREX EM		
BLANK				ODE BRG	65BC03J30X			MTR. WT.			
				CLASS	F	PH	3				
				ENCL	DP	CC	010A				
HTR-VOLTS		HTR-AMPS		HTR-WATTS		MAX. SPACE HEATER TEMP.					

Parts List		
Part Number	Description	Quantity
SA312140	SA P44G1850	1.000 EA
RA299578	RA P44G1850	1.000 EA
000692000VD	LABEL WARNING	1.000 EA
NP3488L	ALUM FIRE PUMP MOTOR (ATHENS PLANT ONLY)	1.000 EA
421948079R	MYLAR DIAG 12 LEAD PWS OR WYE-DELTA	1.000 EA
004824015A	GREASE POLYREX EM	0.544 LB
032018028CK	HHCS 3/8-16X3-1/2 PLTD.	3.000 EA
032018028EK	HHCS 5/8-11X3-1/2L PLTD	4.000 EA
034000012AB	WSHR 1/4 STD. PLATED	4.000 EA
034017012AB	LCKW 1/4 STD. PLATED 034017012AF	4.000 EA
034600001AA	BUSH 1/4TO1/8 BLACK	1.000 EA
035000001G	GREASE RELIEF FITTING, ALEMITE 317400	1.000 EA
035000001G	GREASE RELIEF FITTING, ALEMITE 317400	1.000 EA
089438082A	BRKT 440 089438081WCB	1.000 EA
410700004F	WSHR	1.000 EA
702611001A	BAFFL 440 SUB PAINT	1.000 EA
032018028CK	HHCS 3/8-16X3-1/2 PLTD.	3.000 EA
032018028EK	HHCS 5/8-11X3-1/2L PLTD	4.000 EA
034000012AB	WSHR 1/4 STD. PLATED	4.000 EA
034017012AB	LCKW 1/4 STD. PLATED 034017012AF	4.000 EA
034600001AA	BUSH 1/4TO1/8 BLACK	1.000 EA
089438082A	BRKT 440 089438081WCB	1.000 EA
702611001A	BAFFL 440 SUB PAINT	1.000 EA
032018008DK	HHCS 1/2-13X1 PLATED	4.000 EA

Parts List (continued)		
Part Number	Description	Quantity
033512004LB	HHTTS 1/4-20X1/2 PLTD.	1.000 EA
033512006LB	HHTTS 1/4-20X3/4 PLTD.	8.000 EA
035000001A	ALFTG 1/8" 1610-BL	1.000 EA
035000001A	ALFTG 1/8" 1610-BL	1.000 EA
048897010DG	PLUG,ODE BRKT - 360	1.000 EA
415000103D	T/LUG #4AWG-1/0AWG W/HOLE FOR .250 BOLT	1.000 EA
418150003A	GREASE FITTING CAP	1.000 EA
418150003A	GREASE FITTING CAP	1.000 EA
702658001A	CONDUIT BOX, E440	1.000 EA
702658002A	+C/BOX CVR, PAINTED 440	1.000 EA
033775004EA	DRSCR #6-1/4 304 S.S.	2.000 EA
034180024HA	KEY 5/8X5/8X3 L	1.000 EA
405851012AF	SPACE	4.000 EA
032018012AK	HHCS 1/4-20X1-1/2 PLTD.	4.000 EA
032018012AK	HHCS 1/4-20X1-1/2 PLTD.	4.000 EA
PK5004A09	BASE 48 X 39-1/4 STACK 2 X 4 RUNNER	1.000 EA
405851012AF	SPACE	4.000 EA
604799003C	PLASTIC BAG 42X32X46	1.000 EA
033300014AC	HEX NUT, SHIPPING - 400	2.000 EA
034001016AB	WSHR .562ID 1.375OD .109	2.000 EA
034001014AB	FLAT WASHER 3/8"PLATED	2.000 EA
032510024D	CARRIAGE BOLT - 444	2.000 EA
MG1025R44	WILKOFAS, 784.109, CARMINE RED #3002	0.500 GA

REL. S.O.	FRAME	HP	TYPE	PHASE/HERTZ	RPM	VOLTS
	444T	150	P	3/60	1785	460
AMPS	DUTY	AMB °C/INSUL.	S.F.	NEMA DESIGN	CODE LETTER	ENCL.
167	CONT	40/F	1.15	B	F	ODP
E/S	ROTOR	TEST S.O.	TEST DATE	STATOR RES. @25 °C OHMS (BETWEEN LINES)		
-	418143-36-VE	---	---	.0490		

PERFORMANCE


LOAD	HP	AMPERES	RPM	POWER FACTOR %	EFFICIENCY %
NO LOAD	0	40.4	1800	5.69	0
1/4	37.6	56.4	1796	67.0	93.1
2/4	75.0	87.4	1791	84.3	95.3
3/4	112	125	1787	88.0	95.4
4/4	150	167	1782	88.4	95.1
5/4	188	211	1776	88.2	94.4

SPEED TORQUE

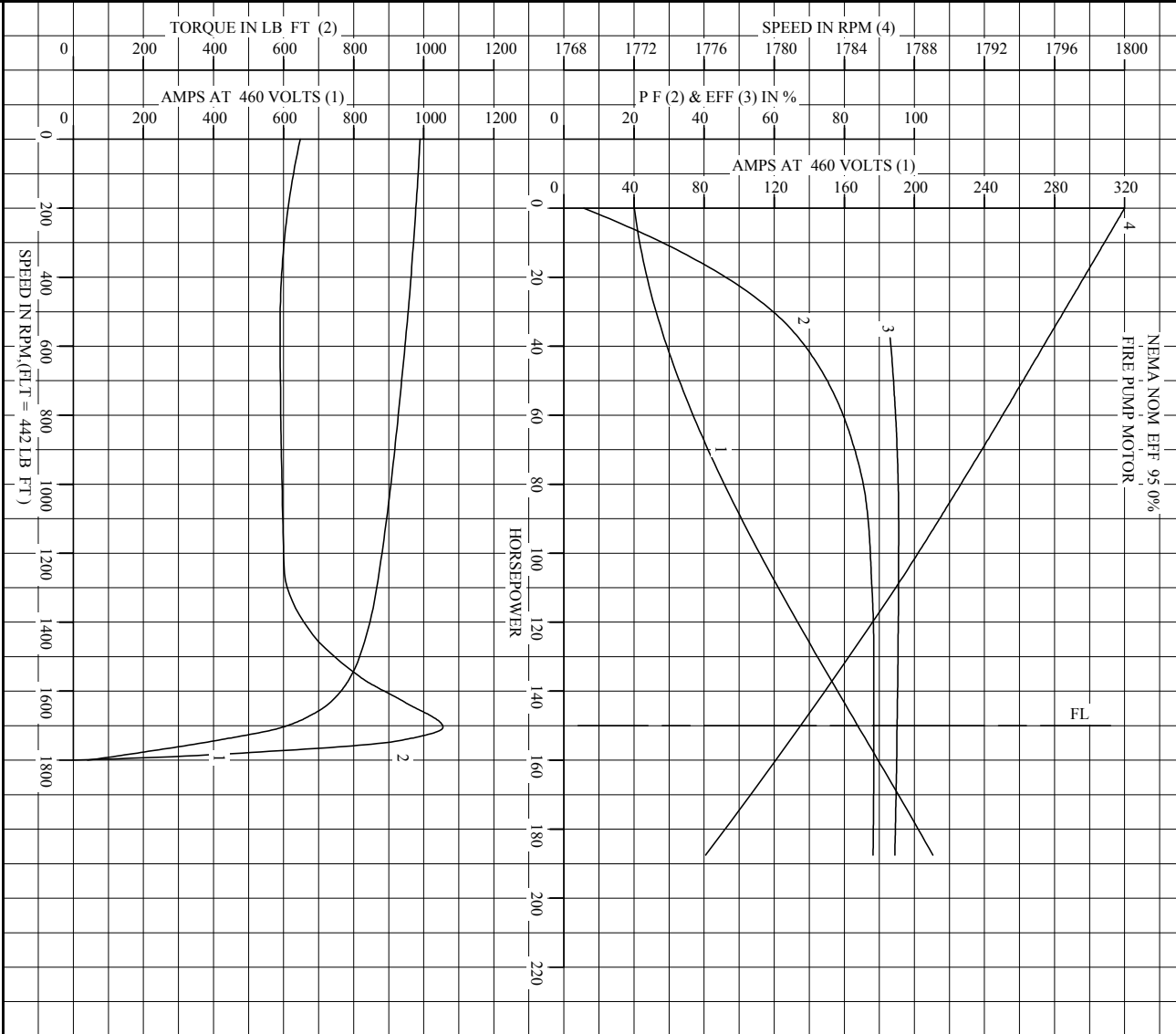
	RPM	TORQUE % FULL LOAD	TORQUE LB.-FT.	AMPERES
LOCKED ROTOR	0	146	648	990
PULL UP	540	133	590	952
BREAKDOWN	1705	239	1055	596
FULL LOAD	1782	100	442	167

AMPERES SHOWN FOR 460. VOLT CONNECTION. IF OTHER VOLTAGE CONNECTIONS ARE AVAILABLE, THE AMPERES WILL VARY INVERSELY WITH THE RATED VOLTAGE

REMARKS: CALCULATED DATA
NEMA NOM. EFF. 95.0%
FIRE PUMP MOTOR

 A MEMBER OF THE ABB GROUP	DR. BY	CD	A-C MOTOR
	CR. BY	T. RELIANT	PERFORMANCE DATA
	APP. BY	T. RELIANT	A44WG5440-R001
	DATE	09/23/2015	ISSUE DATE 09/23/20

REL S.O.	444T	RPM	1785	S.F.	1.15	ROTOR	418143-36-VE
FRAME	444T	VOLTS	460	NEMA DESIGN	B	TEST S.O.	CALCULATED DATA
HP	150	AMPS	167	CODE LETTER	F	TEST DATE	---
TYPE	P	DUTY	CONT	ENCLOSURE	ODP	STATOR RES. @ 25 °C	.0490
PHASE/HERTZ	3/60	AMB °/INSUL	40/F	E/S	-	OMEGAS (BETWEEN LINES)	

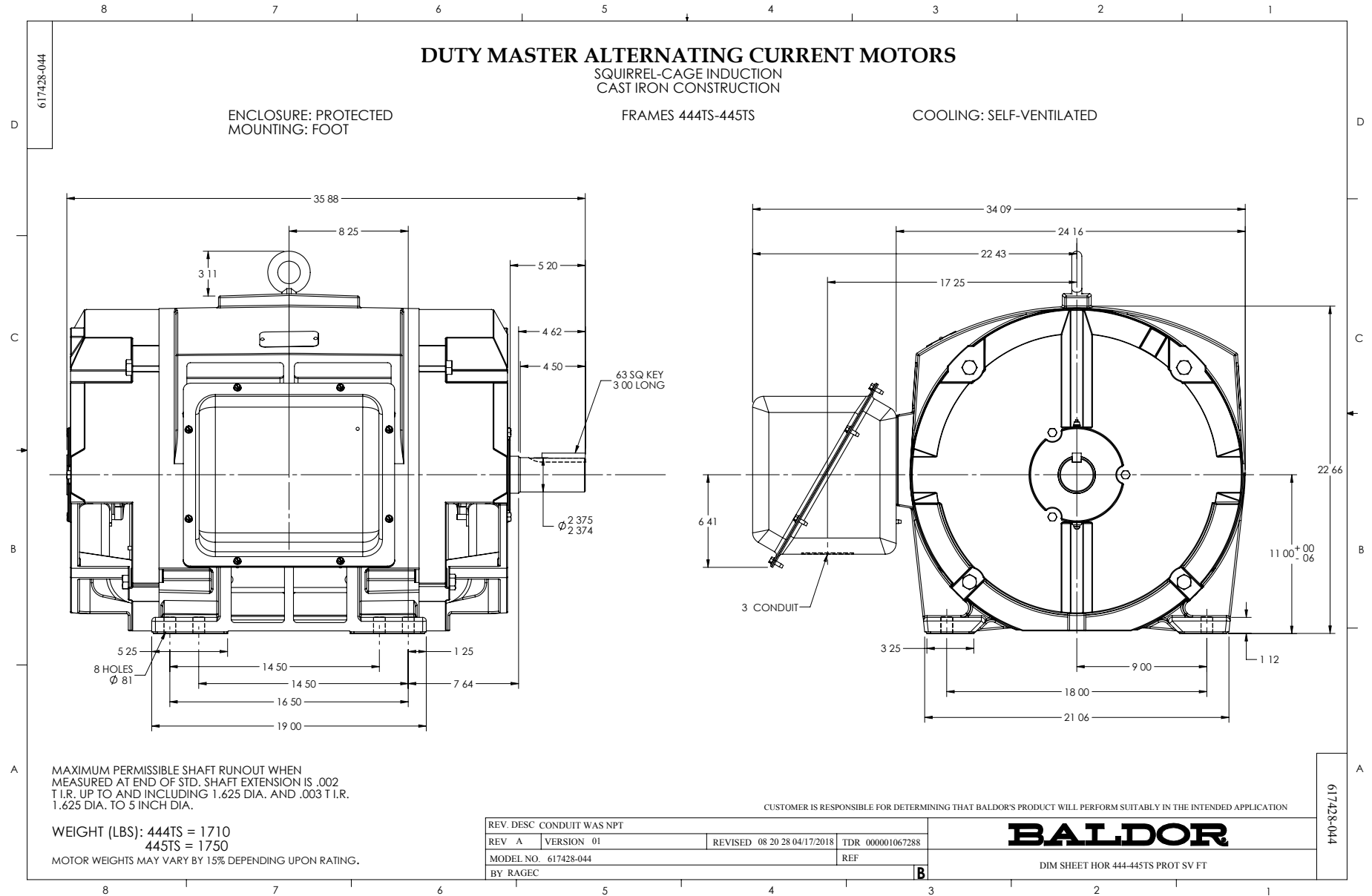


AMPERES SHOWN FOR 460 VOLT CONNECTION, IF OTHER VOLTAGE CONNECTIONS ARE AVAILABLE, THE AMPERES WILL VARY INVERSELY WITH THE RATED VOLTAGE.



DR. BY T. KEHATI
 App. BY T. KEHATI
 DATE 09/23/2015

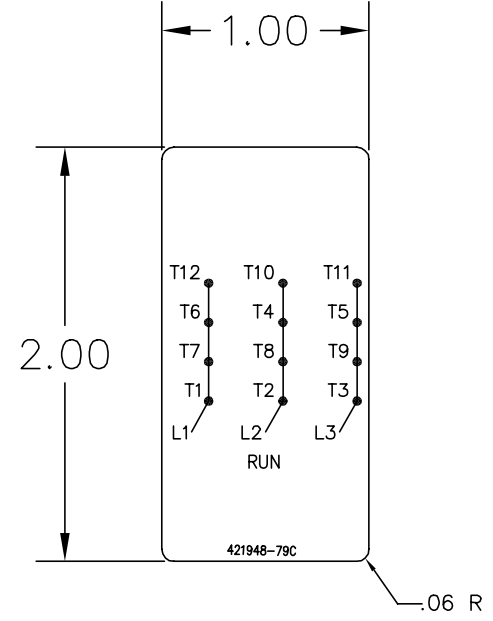
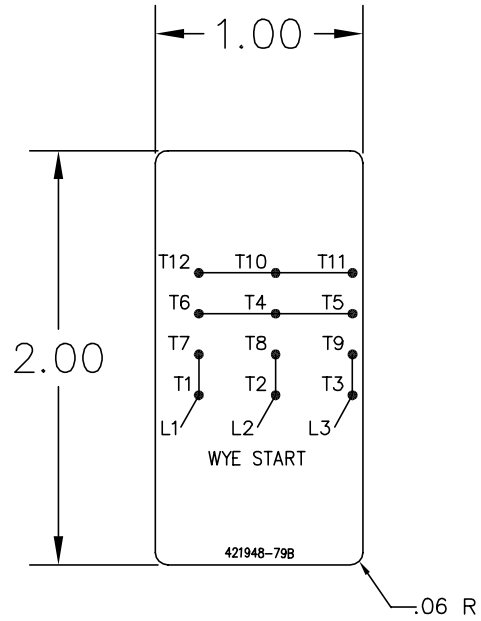
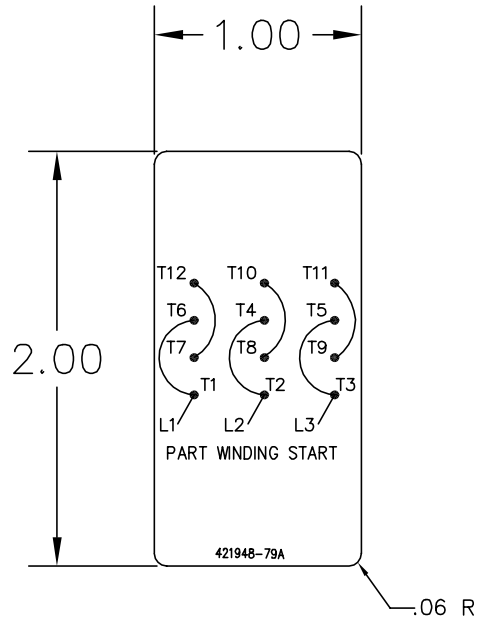
A-C MOTOR PERFORMANCE CURVES
 A44WC5440-R001
 ISSUE DATE 09/23/2015



421948-079

TOLERANCE UNLESS OTHERWISE SHOWN
 ONE PLACE DECIMAL ±.1
 TWO PLACE DECIMAL ±.02
 THREE PLACE DECIMAL ±.003
 ANGLE ±0°-30'

SURFACE FINISH 250



MATERIAL SPECIFICATION: .005 THICK DULL SILVER MYLAR,
 TOPCOAT-ARMORCOTE, PS ADHESIVE, LABEL MUST MEET THE
 REQUIREMENTS AS SPECIFIED IN CANADIAN STANDARDS
 ASSOCIATION: "CSA TESTING LABORATORIES TEST PROGRAM
 FOR ADHESIVE TYPE NAMEPLATES".
 LETTERING: UNIVERSAL TYPE UNLESS OTHERWISE SPECIFIED.
 COLORS: 1) BLACK ON NATURAL BACKGROUND

REF: 410961-66A

GROUP	- 1	421948-79C	RUN CONNECTION
GROUP	- 1	421948-79B	WYE START
	- 1	421948-79A	PART WINDING START
	R	PART	DESCRIPTION

REV. DESC:			
REV. LTR: A	VERSION: 01	TDR: 000000591489	
FILE: \RAG\00013\521		REVISED: 01:12:47 04/18/2011	
MTL: -		BY: RAGBRP	

BALDOR

MYLAR 12 LEAD PWS OR WYE-DELTA WIRING DIAGRAM

SH 1 of 1

421948-079

Marketing maintained PDF of MN408:

[MN408?ManNumber=MN408](#)

Marketing maintained PDF of MN416:

[MN416?ManNumber=MN416](#)